



Job Name: \_\_\_\_\_

Location: \_\_\_\_\_

Architect/Engineer: \_\_\_\_\_

Wholesaler: \_\_\_\_\_

Model No.:	Total Vent Length:	Total System Btu/h:
------------	--------------------	---------------------

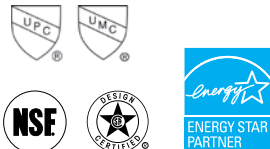
Notes: \_\_\_\_\_

**FEATURES AND BENEFITS**

- The Common Vent System provides for longer vent lengths and fewer wall or roof penetrations than conventional single-unit venting. Common Vent is made by Ubbink, the same supplier for Rinnai's innovative line of concentric venting. Common Vent utilizes a CSA-certified and tested polypropylene venting material. The various sections are self locking and sealing and can be pushed together without use of cement or glue. Common Vent can only be used with Rinnai's SE, SE+ and Commercial Condensing Tankless Water Heaters.
- For air intake venting components beyond the common vent manifold, schedule 40 PVC or CPCV can be used.
- Certified up to 8 water heaters with a 150 ft equivalent vent length.
- Common Vent is made of polypropylene (PPtI - for use in U.S. and PPS for Canada) installations (6" common vent is only for Canada).
- Certified for installs up to 10,200 ft)

**OPTIONS**

	Horizontal Vent Termination
	Vertical Vent Termination
	In-Line Venting Configuration
	Back-to-Back Venting Configuration



©2018 Rinnai America Corporation. Rinnai America Corporation continually updates materials, and as such, content is subject to change without notice. Local, state provincial, federal and national fuel gas codes must be adhered to prior to and upon installation.

# COMMERCIAL COMMON VENTING COMPONENTS



## 3" COMMERCIAL COMMON VENTING COMPONENTS (POLYPROPYLENE)

PART NUMBER	IMAGE	DESCRIPTION
790130	1	3" KIT DIRECT VENT FOR CORNER RACK AND IN-LINE
790131	2	3" KIT ROOM AIR FOR CORNER RACK AND IN-LINE
790120	3	ELBOW 3" 45 (2X)
790121	4	ELBOW 3" 90
790122	5	EXTENSION 3"-39"
790123	6	BRACKET 3" METAL
790124	7	WALL TERMINAL 3" PLASTIC
790125	8	ROOF TERMINAL 3" PLASTIC

## 4" COMMERCIAL COMMON VENTING COMPONENTS (POLYPROPYLENE)

PART NUMBER	IMAGE	DESCRIPTION
790132	9	4" COMMON VENT STARTER KIT DV
790134	10	4" COMMON VENT IN-LINE 6" DV NEW VALVE
790137	11	4" COMMON VENT STARTER KIT ROOM AIR
790142	12	4" COMMON VENT B2B DV ADD ON KITS
790143	13	4" COMMON VENT B2B ROOM AIR ADD ON KITS
790139	14	4" COMMON VENT IN-LINE ROOM AIR NEW VALVE
790026	3	ELBOW 4" 45 (2X)
790027	4	ELBOW 4" 90
790028	5	EXTENSION 4"-39"
790088	5	EXTENSION 4"-78"
790091	6	BRACKET 4" METAL
790093	15	WALL TERMINAL 4" PLASTIC
790095	16	ROOF TERMINAL 4" PLASTIC
790097	17	RAIN CAP FLUE TERMINAL 4"
780060	18	RAIN CAP AIR TERMINAL 4"
790099	-	4" AND 6" FLASHING 25-45 SHINGLE + SPEC. ADAPTER
790101	19	4" AND 6" FLAT ROOF FLASHING
790102	-	4" EXTENSION ROOF TERMINAL KIT PLASTIC
790085	-	ADAPTER 6" - 4" AIR INTAKE AND EXHAUST
790104	-	ADAPTER 4" - 6" AIR INTAKE AND EXHAUST



# COMMERCIAL COMMON VENTING COMPONENTS



## 6" COMMERCIAL COMMON VENTING COMPONENTS (POLYPROPYLENE)

PART NUMBER	IMAGE	DESCRIPTION
790133	9	6" COMMON VENT STARTER KIT DV
790135	10	6" COMMON VENT IN-LINE 6" DV NEW VALVE
790136	20	6" COMMON VENT B2B 6" DV NEW VALVE
790138	11	6" COMMON VENT STARTER KIT 6" ROOM AIR
790140	14	6" COMMON VENT IN-LINE 6" ROOM AIR NEW VALVE
790141	13	6" COMMON VENT B2B 6" ROOM AIR NEW VALVE
790086	3	ELBOW 6"-45 (2X)
790087	4	ELBOW 6"-87
790089	5	EXTENSION 6"-39"
790090	5	EXTENSION 6"-78"
790092	6	BRACKET 6" METAL
790094	15	WALL TERMINAL 6" PLASTIC
790096	16	ROOF TERMINAL 6" PLASTIC
790098	17	RAIN CAP FLUE TERMINAL 6"
780061	18	RAIN CAP AIR TERMINAL 6"
790103	-	6" EXTENSION ROOF TERMINAL KIT METAL
790099	-	4" AND 6" FLASHING 25-45 SHINGLE + SPEC. ADAPTER
790101	-	4" AND 6" FLASHING 25-45 SHINGLE + SPEC. ADAPTER
790104	-	ADAPTER 4" - 6" AIR INTAKE AND EXHAUST
790085	-	ADAPTER 6" - 4" AIR INTAKE AND EXHAUST

## FOR USE IN CANADA

PART NUMBER	IMAGE	DESCRIPTION
791020PPS	-	6" COM. VENT START KIT DV PPS
791021PPS	-	6" COMMON VENT IN-LINE DV PPS
791022PPS	-	6" COMMON VENT B2B DV PPS
791023PPS	-	6" COM VENT START KIT ROOM AIR
791024PPS	-	6" COM. VENT IN-LINE ROOM AIR
791025PPS	-	6" COM. VENT B2B ROOM AIR PPS
791026PPS	-	ELBOW 6"-45 (2X) PPS
791027PPS	-	ELBOW 6"-87 PPS
791028PPS	-	EXTENSION 6"-39" PPS
791029PPS	-	WALL TERMINAL 6" PLASTIC PPS
791030PPS	-	ROOF TERMINAL 6" PLASTIC PPS



# 3" Common Venting

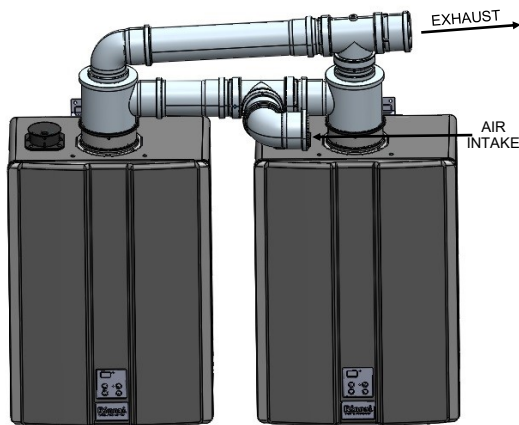
## Topics in this Section:

- 3" Direct Vent and Room Air
- 3" Inline and Corner Kits

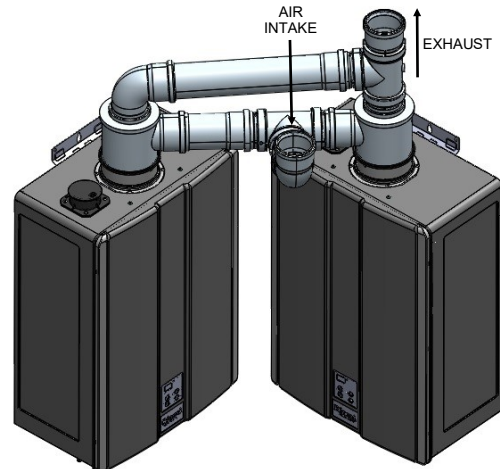
## 3" Direct Vent and Room Air

### Direct Vent

Inline



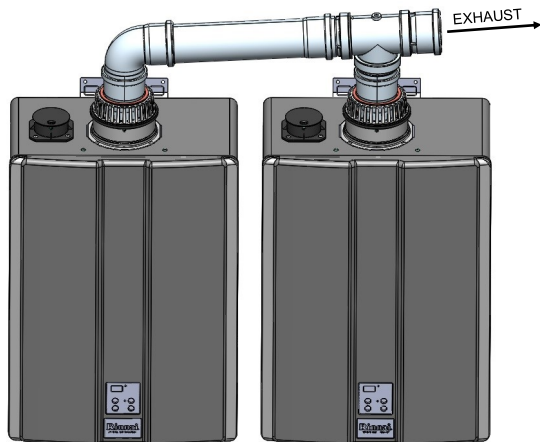
Corner



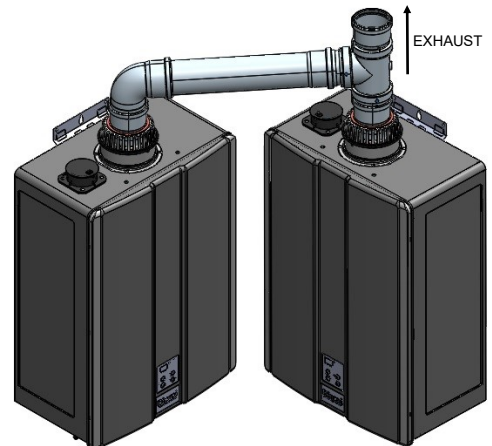
### Room Air

- Refer to the Combustion Air section of this manual for room air requirements.

Inline

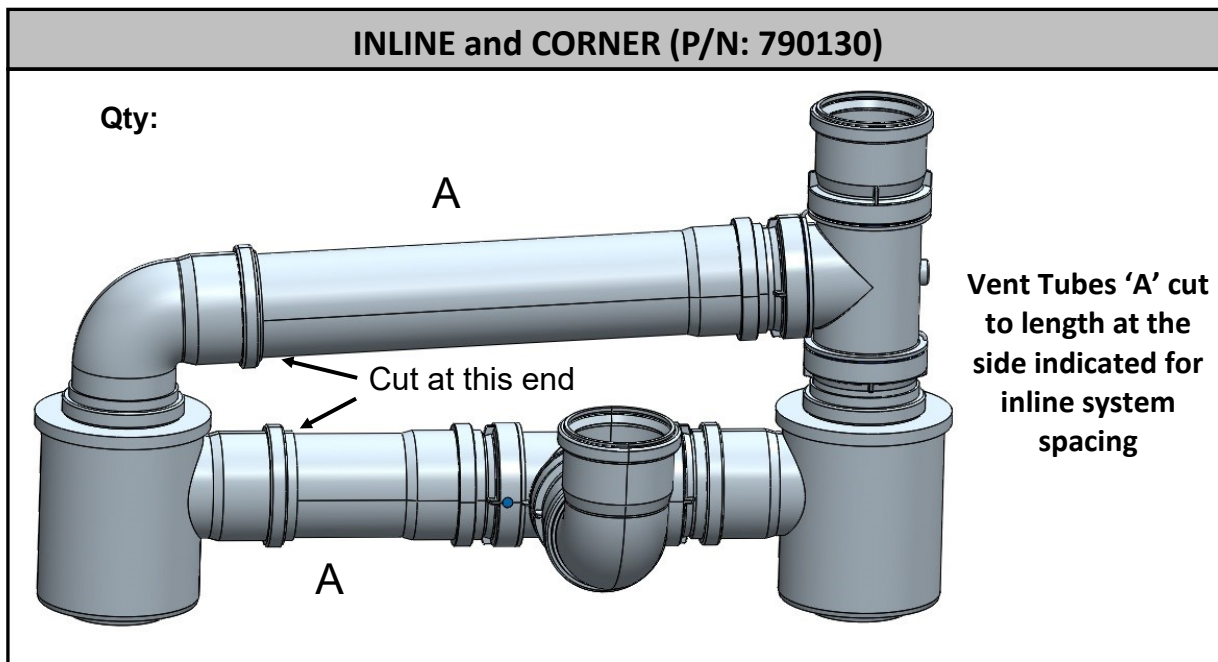


Corner

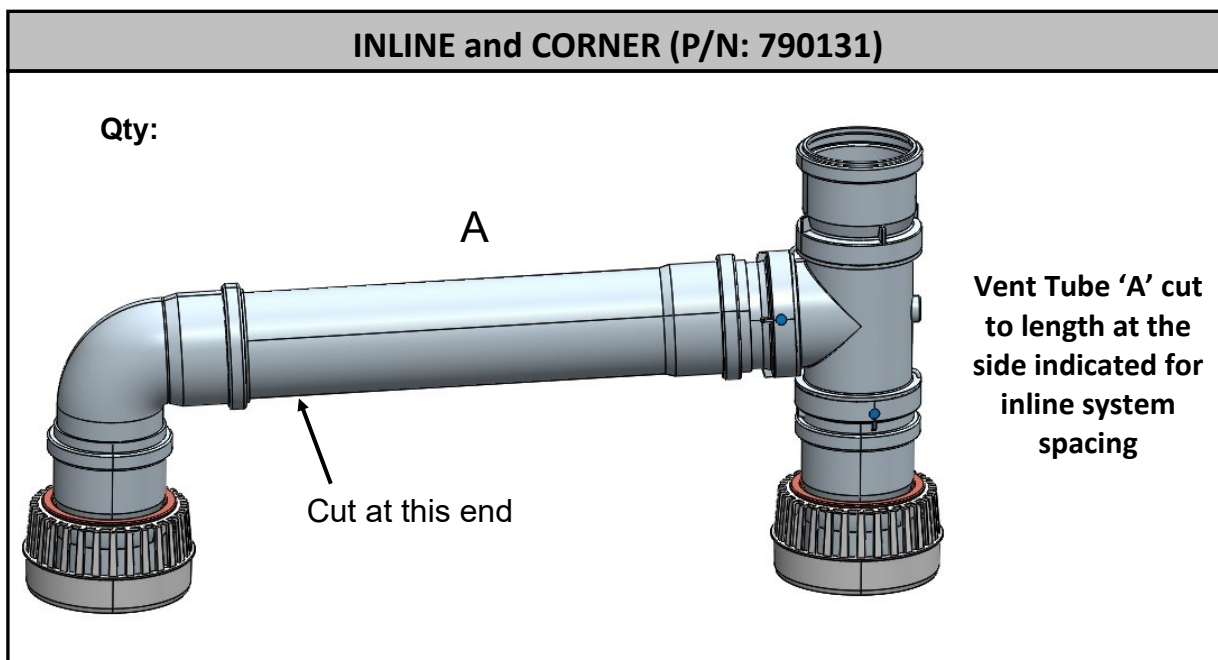


# 3" Inline and Corner Kits

## Direct Vent

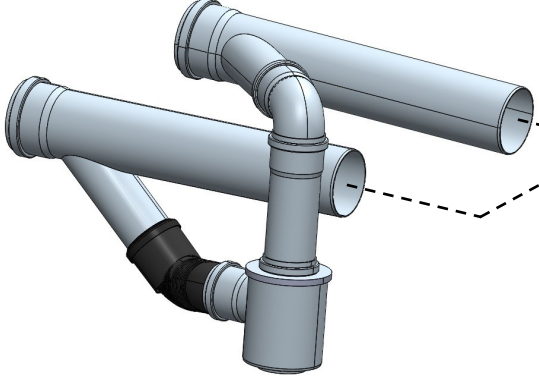
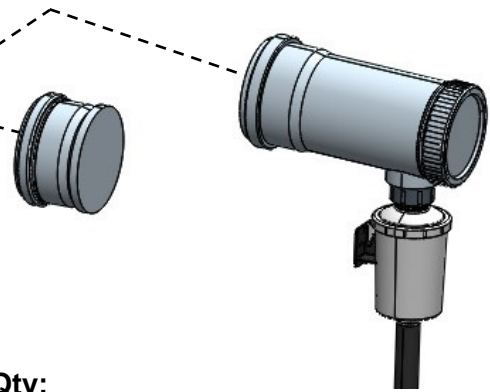


## Room Air

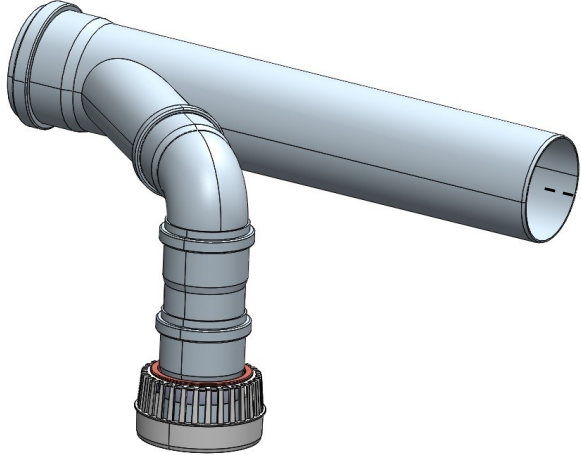
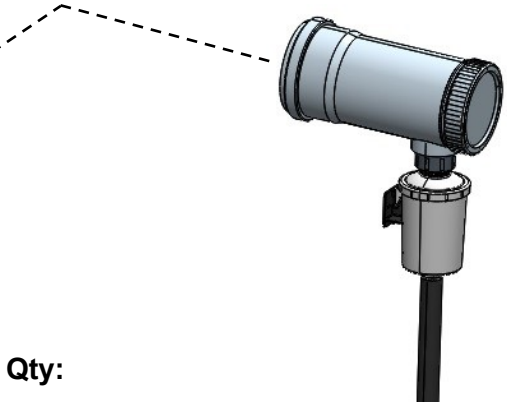


# 4" Inline Add-On and Starter Kits

## Direct Vent

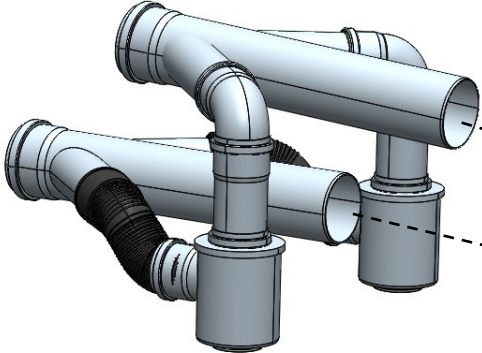
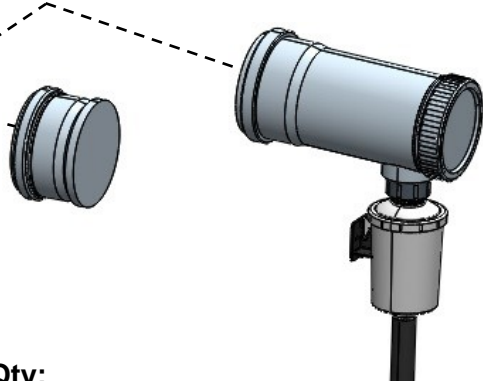
4" ADD-ON (P/N: 790134)	4" STARTER (P/N: 790132)
 <p>Qty:</p>	 <p>Qty:</p>

## Room Air

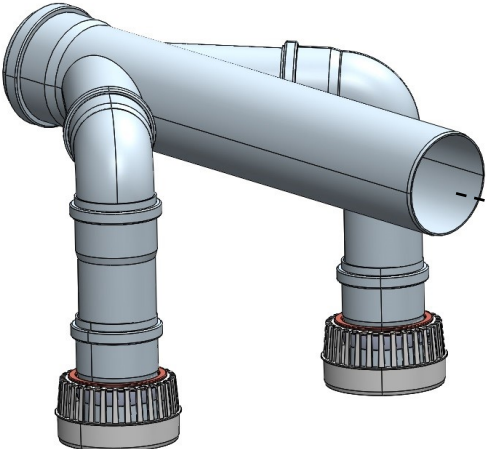
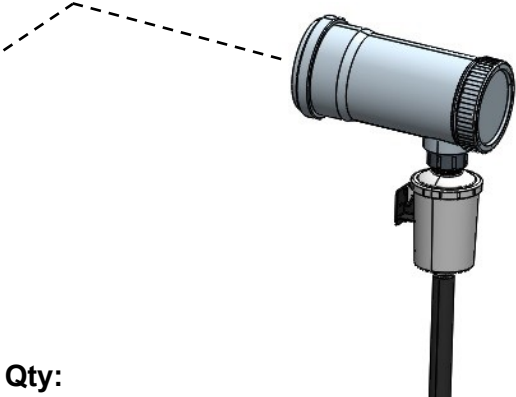
4" ADD-ON (P/N: 790139)	4" STARTER (P/N: 790137)
 <p>Qty:</p>	 <p>Qty:</p>

# 4" Back-to-Back Add-On and Starter Kits

## Direct Vent

4" ADD-ON (P/N: 790142)	4" STARTER (P/N: 790132)
 <p>Qty:</p>	 <p>Qty:</p>

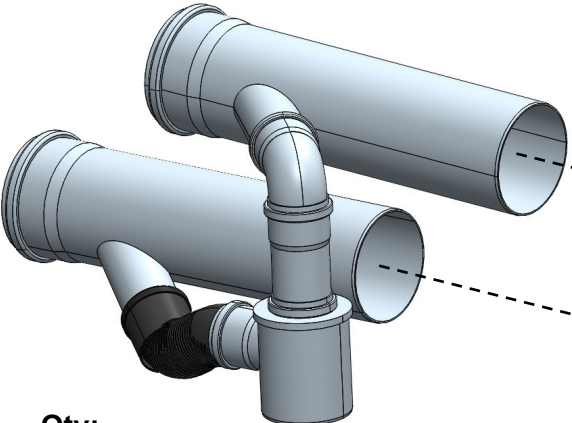
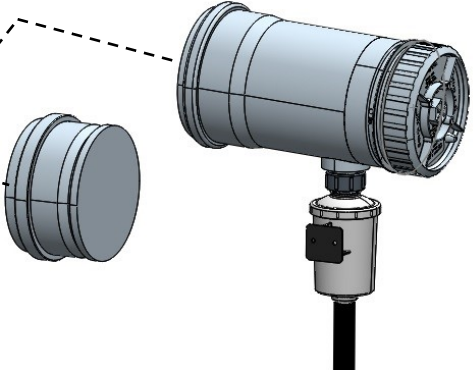
## Room Air

4" ADD-ON (P/N: 790143)	4" STARTER (P/N: 790137)
 <p>Qty:</p>	 <p>Qty:</p>

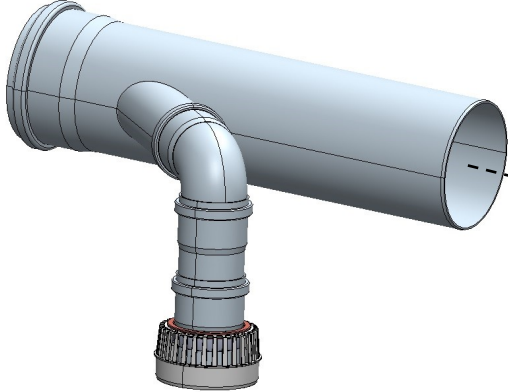
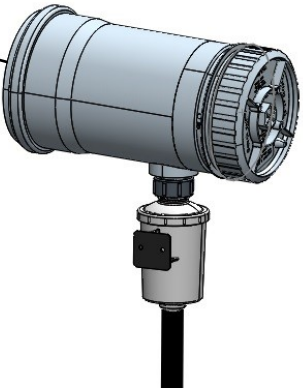


# 6" Inline Add-On and Starter Kits

## Direct Vent

6" ADD-ON (P/N: 790135 / *791021PPS)	6" STARTER (P/N: 790133 / *791020PPS)
 <p data-bbox="256 835 698 955"><b>Qty:</b> *PPS material listed to ULC-S636 for Canadian Installations</p>	 <p data-bbox="896 825 1372 955"><b>Qty:</b> *PPS material listed to ULC-S636 for Canadian Installations</p>

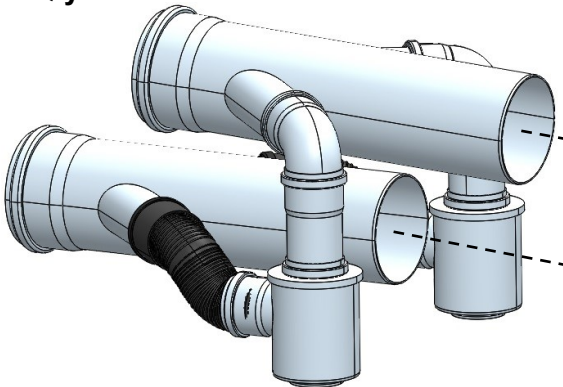
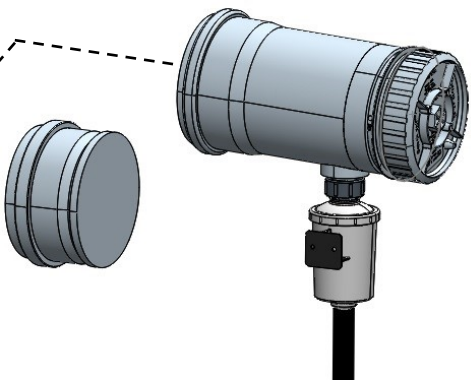
## Room Air

6" ADD-ON (P/N: 790140 / *791024PPS)	6" STARTER (P/N: 790138 / *791023PPS)
 <p data-bbox="243 1722 698 1864"><b>Qty:</b> *PPS material listed to ULC-S636 for Canadian Installations</p>	 <p data-bbox="901 1726 1328 1864"><b>Qty:</b> *PPS material listed to ULC-S636 for Canadian Installations</p>

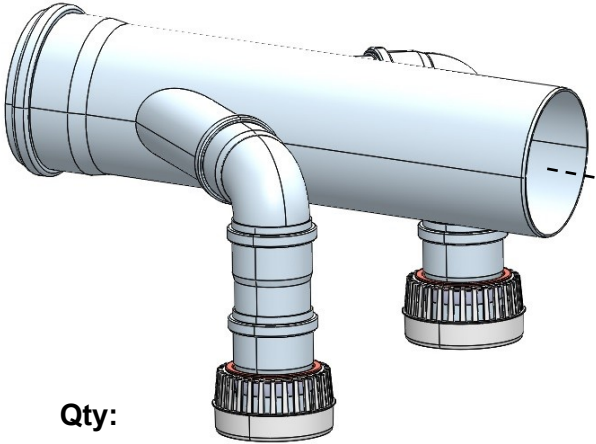
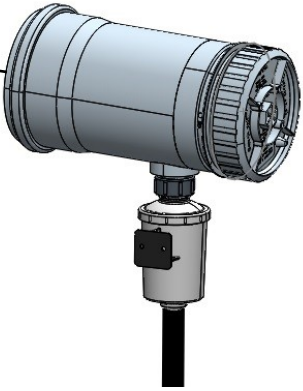


# 6" Back-to-Back Add-On and Starter Kits

## Direct Vent

6" ADD-ON (P/N: 790136 / *791022PPS)	6" STARTER (P/N: 790133 / *791020PPS)
<p>Qty:</p>  <p>*PPS material listed to ULC-S636 for Canadian Installations</p>	<p>Qty:</p>  <p>*PPS material listed to ULC-S636 for Canadian Installations</p>

## Room Air

6" ADD-ON (P/N: 790141 / *791025PPS)	6" STARTER (P/N: 790138 / *791023PPS)
<p>Qty:</p>  <p>*PPS material listed to ULC-S636 for Canadian Installations</p>	<p>Qty:</p>  <p>*PPS material listed to ULC-S636 for Canadian Installations</p>

# Termination Kits

\*PPS material listed to ULC-S636 for Canadian Installations



Roof Termination  
6 inch: 790096  
6 inch: \*791030PPS  
4 inch: 790095



Roof Termination  
Shown with OPTIONAL  
Exhaust Flue Rain Cap



Roof Termination  
Shown with REQUIRED  
Intake Air Rain Cap



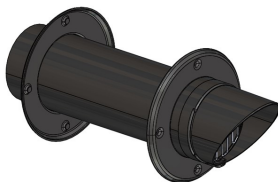
Roof Termination  
3 inch: 790125



Roof Termination  
(39" extension)  
6 inch (stainless): 790103



Roof Termination  
(39" extension)  
4 inch (plastic): 790102



Wall Terminal Kit  
6 inch (Plastic): 790094  
6 inch (PPS): \*791029PPS  
4 inch (Plastic): 790093  
3 inch (Plastic): 790124



Intake Rain Cap  
6 inch: 780061  
4 inch: 780060



Exhaust Flue Rain Cap  
6 inch: 790098  
4 inch: 790097

# Common Vent Components

Images below are representative shape of actual components.

**\*PPS material listed to ULC-S636 for Canadian Installations**



90° Elbow  
6 inch: 790087  
6 inch: \*791027PPS  
4 inch: 790027  
3 inch: 790121



45° Elbow  
6 inch: 790086  
6 inch: \*791026PPS  
4 inch: 790026  
3 inch: 790120  
(All sizes sold in sets of 2)



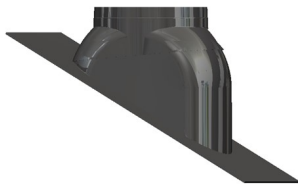
Bracket  
6 inch: 790092  
4 inch: 790091  
3 inch: 790123



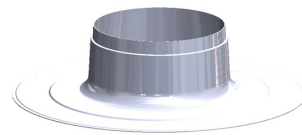
Centrocerin  
Lubricant



Extension		
Diameter (inch)	Length (inch)	Part Number
3	39	790122
4	18	790035
4	39	790028
4	78	790088
6	39	790089 / 791028PPS
6	78	790090



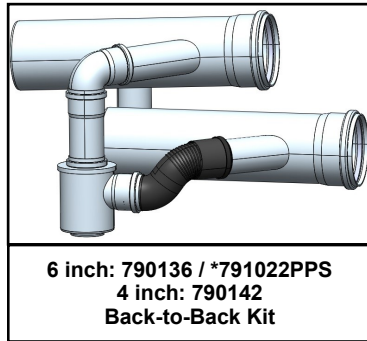
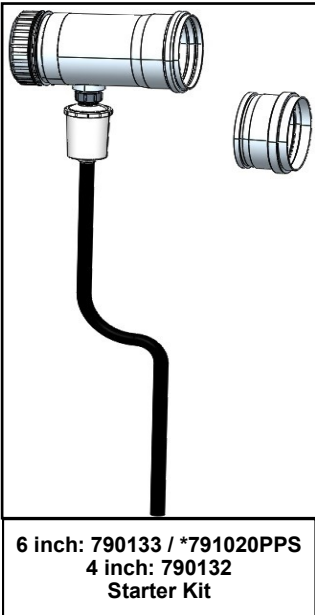
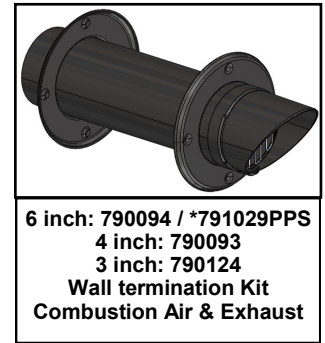
Pitched roof moldable flashing  
6 & 4 inch: 790099



Flat Roof flashing  
6 & 4 inch: 790101

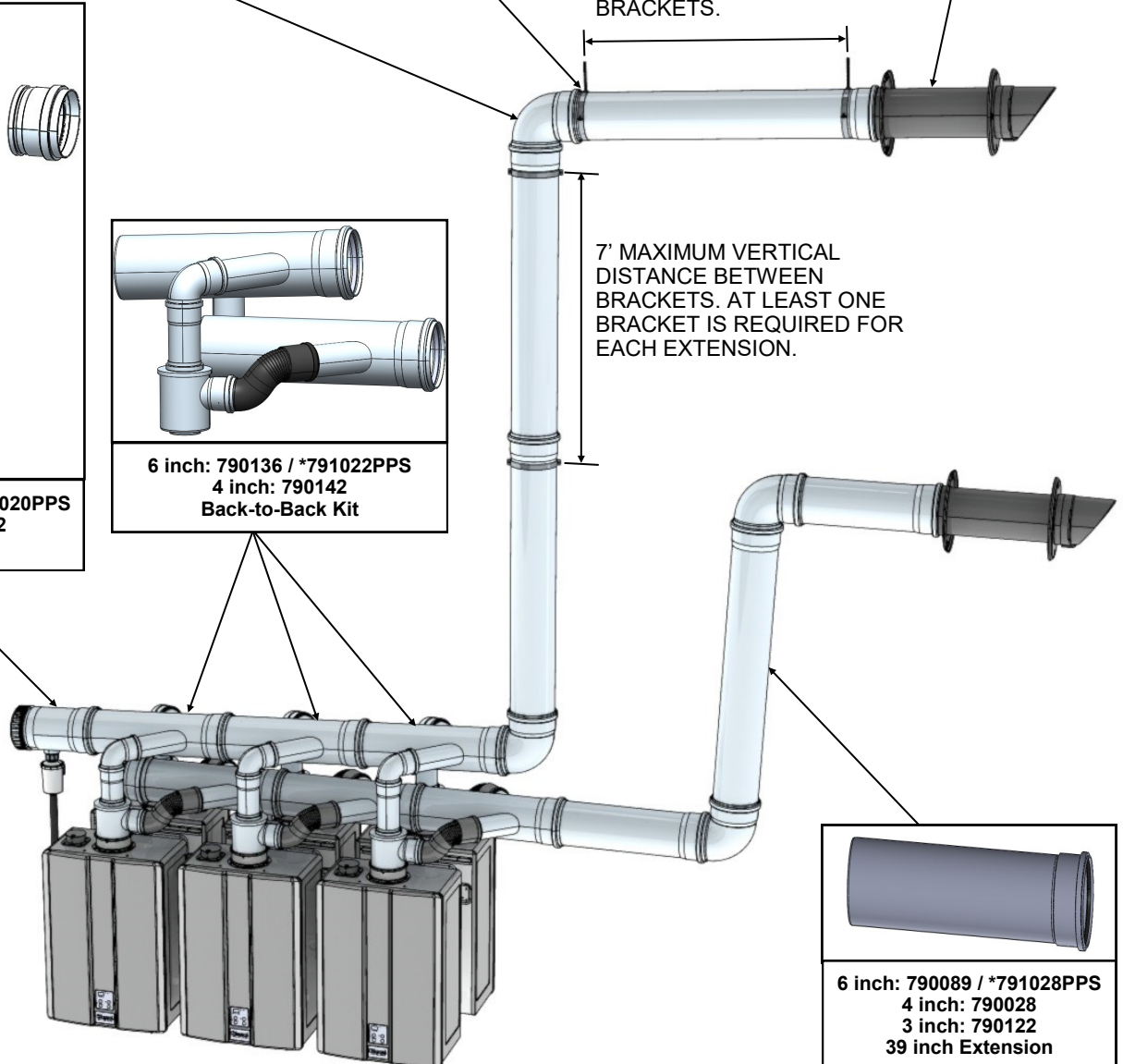
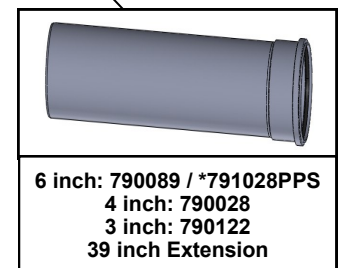
# Sample Horizontal Termination Assembly

## Support Brackets required



3' MAXIMUM HORIZONTAL DISTANCE BETWEEN BRACKETS.

7' MAXIMUM VERTICAL DISTANCE BETWEEN BRACKETS. AT LEAST ONE BRACKET IS REQUIRED FOR EACH EXTENSION.

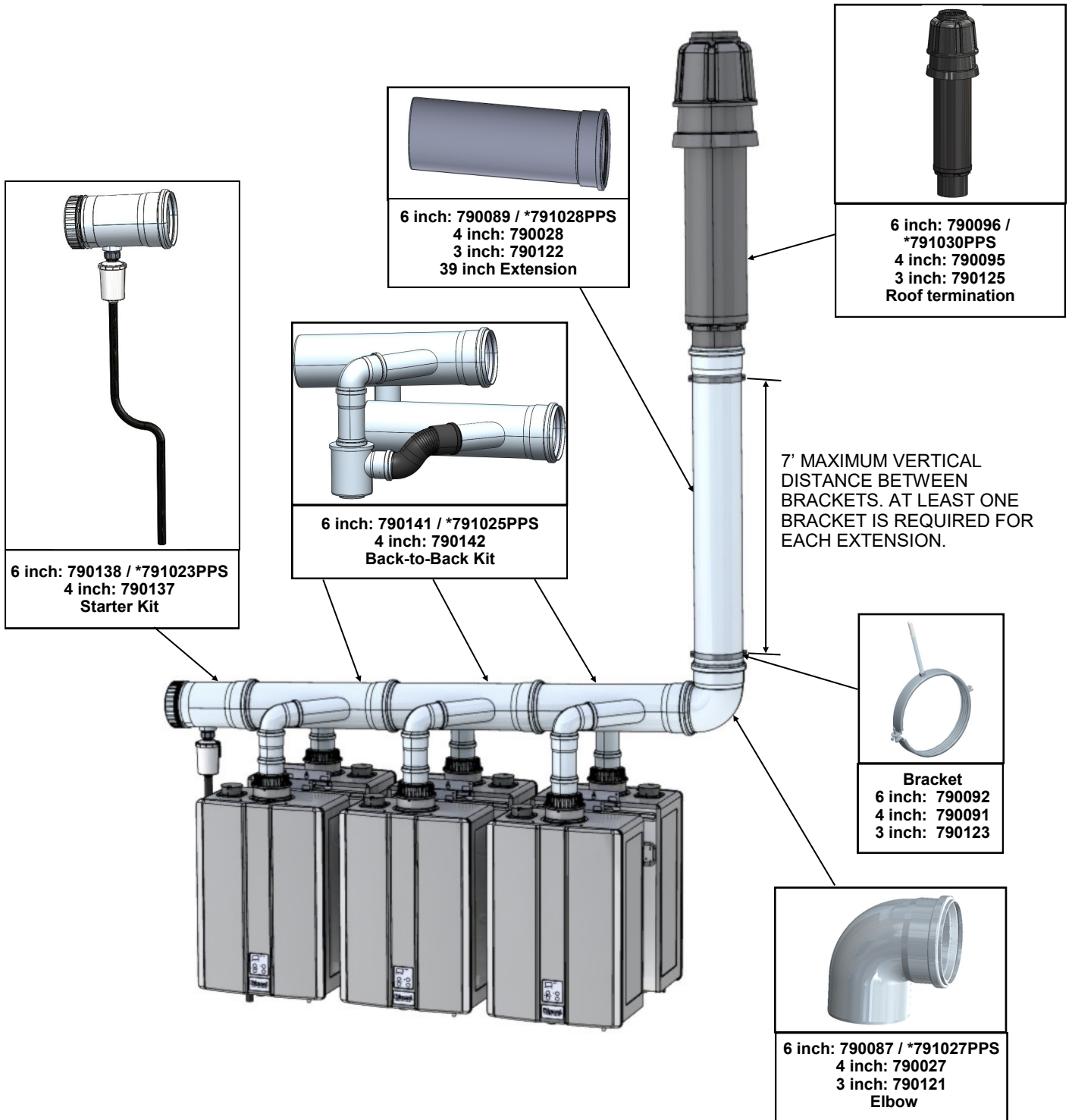


\*PPS material listed to ULC-S636 for Canadian Installations

Vent termination per ANSI Z223.1/NFPA 54. For clearances not specified in ANSI Z223.1/NFPA 54, clearances are in accordance with local installation codes and the requirements of the gas supplier.

# Sample Vertical Termination Assembly-Room Air

## Support Brackets required



\*PPS material listed to ULC-S636 for Canadian Installations

Vent termination per ANSI Z223.1/NFPA 54. For clearances not specified in ANSI Z223.1/NFPA 54, clearances are in accordance with local installation codes and the requirements of the gas supplier.

# NOTES



Learn more about Rinnai high-performance Tankless Water Heaters, Hybrid Water Heating Systems, Boilers, Vent-Free Fan Convectors and EnergySaver® Direct Vent Wall Furnaces at:

[rinnai.us](http://rinnai.us) | [rinnai.ca](http://rinnai.ca)

# Rinnai®

Rinnai America Corporation • 103 International Drive, Peachtree City, GA 30269  
1-800-621-9419 • [rinnai.us](http://rinnai.us)

©2018 Rinnai America Corporation. Rinnai America Corporation continually updates materials, and as such, content is subject to change without notice.  
Local, state, provincial, federal and national fuel gas codes must be adhered to prior to and upon installation.